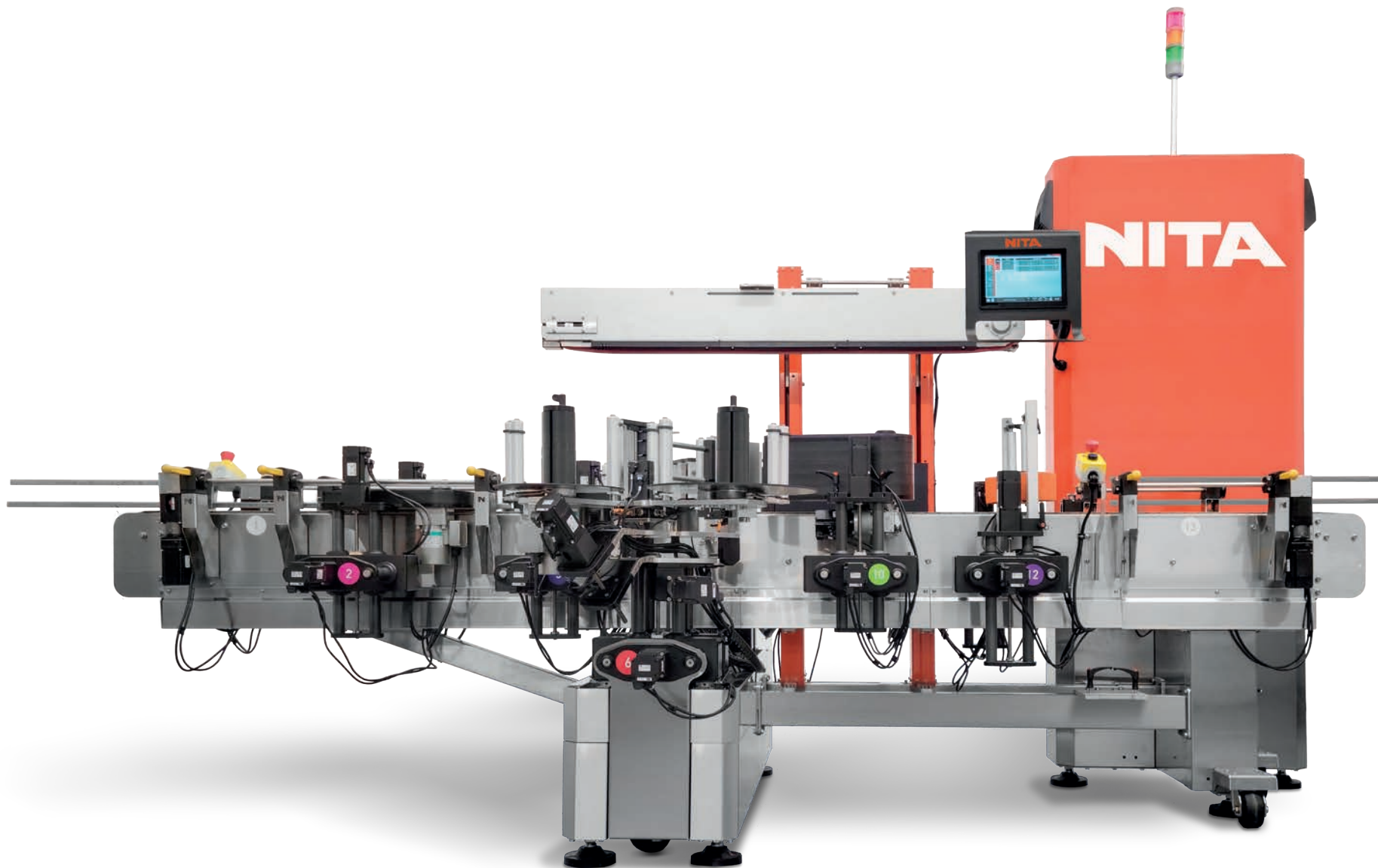


NINITA

SENTIENT LABELING SYSTEMS



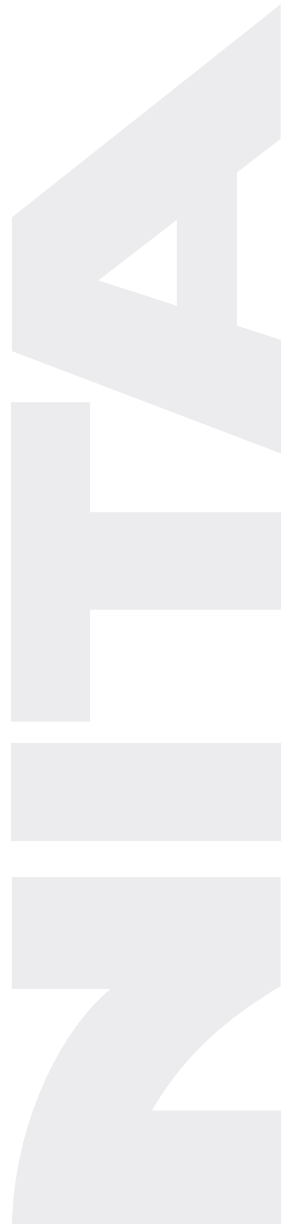
THIS ISN'T JUST A LABELER. **IT'S THE ORIGINAL ONE-TOUCH GAME CHANGER.**

And it's designed to upgrade your production universe, big time.

Meet the World Renowned NITA Sentient Labeling System.

The **one and only 100% servo labeler** that dramatically reduces operator hands-on time and increases productivity - all while integrating the latest next gen technology, the most intuitive user experience, best-in-class responsive support and truthfully, pure labeling joy.

Let's get **into it.**





IT'S AN **UPTIME** CREATOR.

We love uptime. In fact, we're so driven by it we've designed each & every feature on every NITA to create it. How? By meticulously analyzing your labeling pain points – then solving them – with innovation, technology, and certifiably flawless execution.

We asked you, “What Causes Downtime?”

These were your answers:

- Long and challenging changeovers
- Difficult or non-existent synchronized on-the-fly micro-adjustments
- Lack of operator training
- Ordering the wrong parts / installing parts incorrectly
- Diagnostic issues
- Non-existent Preventative Maintenance scheduling
- Accessibility to quick tech support

We heard you. And **we've got you.**

IT'S A **FULLY SYNCHRONIZED** **BAR-SETTER.**

Our open source, **100% servo fully synchronized** labeling technology and windows-based **Panel PC HMI productivity features** crush these frustrations and ensure a smoother, more efficient and (frankly) more awesome labeling experience.



From simple start to perfect finish.

UPTIME FEATURE

N



IT'S A **SELF-DIAGNOSING** **PROBLEM SOLVER.**

The **NITA self-monitoring system** is like a built-in consultant who creates uptime by mitigating downtime.

How? Through **cyclical monitoring of wear parts and real-time monitoring of all servo motors**, it automatically alerts operators as to the status of your machine and sends an alert if stress levels exceed normal range. Once alerted, you're guided through simple video checklists to restore normal operations.



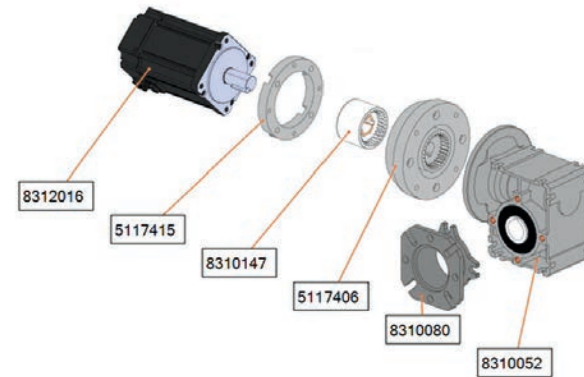
Without this tool, you'd only know about a problem after something malfunctions – when it's too late.

And who has time for that? Not our uptime machine.

IT'S A LEAN, **IN-SCREEN** PARTS ORDERING MACHINE.

What if you could determine the exact part you need – from a perfect 3D drawing of your exact machine – right in your full color Panel PC HMI?

Thought so. NITA ensures you order the right part – every time – super simply. Just click on the items you need on the 3D image to either purchase them or request a quote directly from the Wi-Fi enabled HMI. Receiving the correct parts the first time stops downtime in its tracks and ensures you are up and running when you need to be.



Downtime? What downtime?

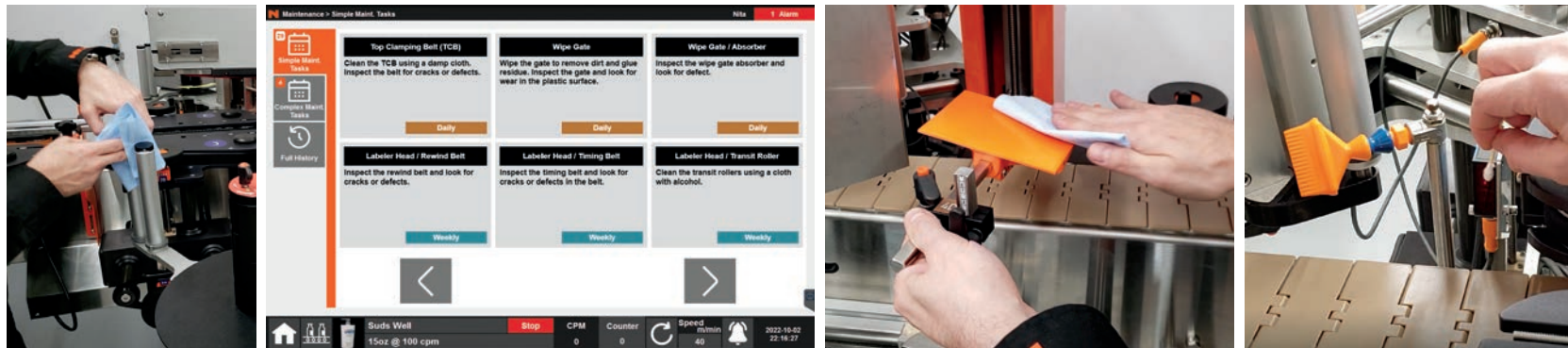


UPTIME FEATURE



IT'S A **PREVENTATIVE** MAINTENANCE MOGUL.

The NITA built-in Preventative Maintenance System keeps you up to date on priority tasks that are key to keeping your labeler running perfectly. This intuitive in-screen tiled dashboard with built-in full explanation videos, schematics and tutorials future-proofs uptime by consistently mitigating downtime – daily, weekly and monthly.



When it comes to a healthy machine,
prevention is power.

IT'S A **TECH SUPPORT** TRAILBLAZER.

FREE lifetime remote service. (Read that again.)

The **NITACARE** program gives you superfast, direct access to our highly skilled tech support team via phone, video or the inherent internet connected 1-touch button on your Panel PC HMI where our team can diagnose and remedy any issues on the spot.

Upping uptime, bigtime.

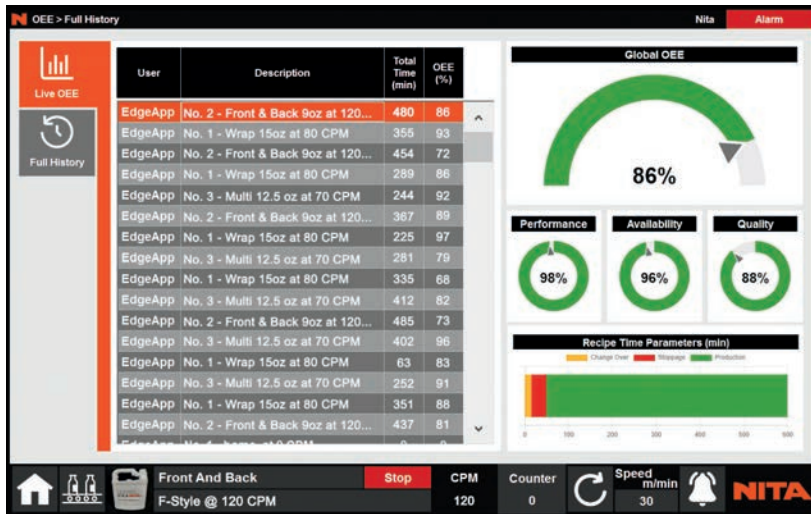


UPTIME FEATURE



IT'S A **REAL-TIME**, PRODUCTION ANALYZER.

UPTIME FEATURE



Every NITA includes a live S.C.A.D.A. dashboard allowing for real time O.E.E. data and other production efficiencies like uptime, downtime, changeover times and container and label usage to be viewed right from the comfort of your Panel PC HMI or via OPC/UA connectivity.

All of the amazing analytical magic happens within a sleek Panel PC HMI running on a secure Windows IoT Enterprise operating system.

Powerful stuff.

IT'S A FREAKISHLY FAST CHANGEOVER MASTER.

Imagine cutting changeover time by more than half – or even up to 80% faster – over any other system.

Now, imagine how much downtime you can avoid.

The super cool in-panel 3D map of your exact machine guides you step by step to match up the color, letter and value in the screen to the corresponding color and letter on your machine. And when done, that recipe is saved in the HMI and ready to be recalled at the push of a button for a ridiculously quick and easy replication.

Mind-blowingness included.



UPTIME FEATURE



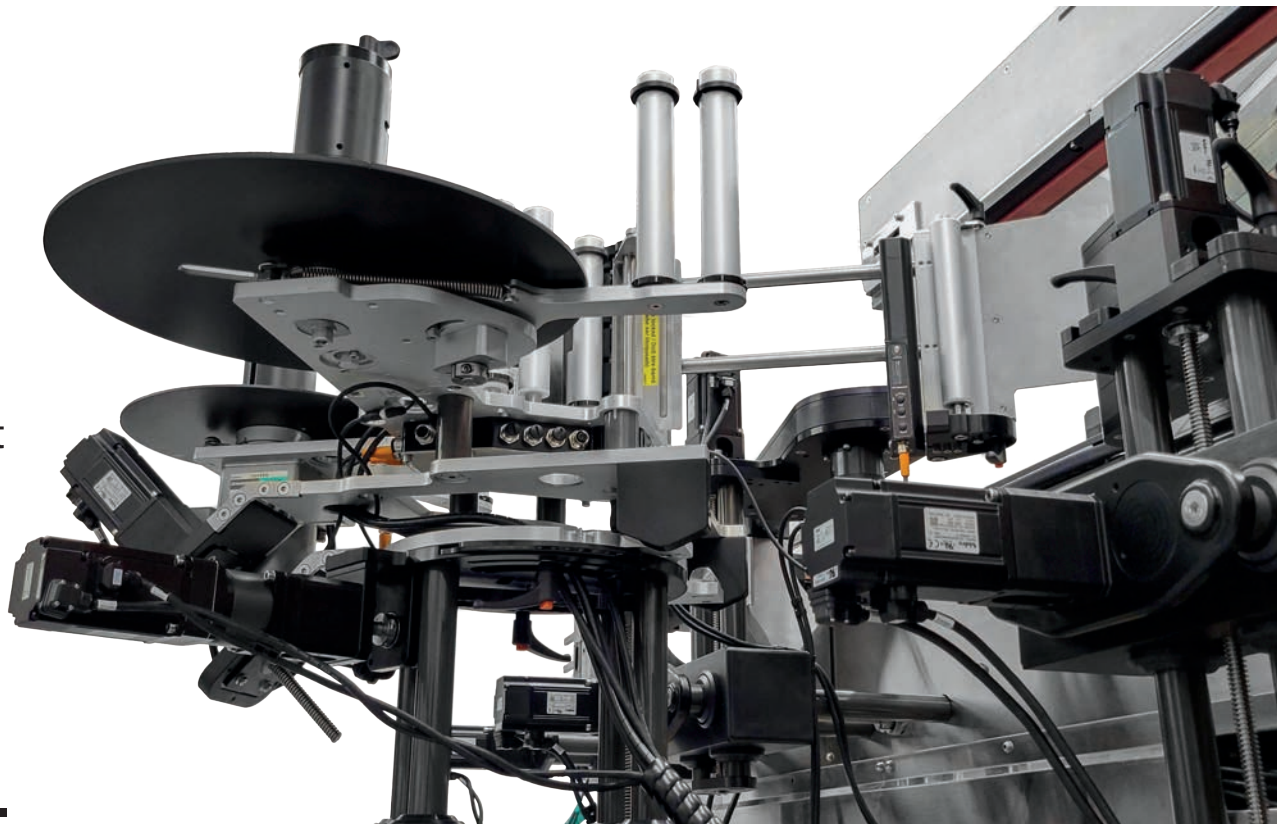
WHEN PERFECTION GETS FULLY AUTOMATIC 100%

Skilled workers are hard to come by.

So we built them right into our labeler for you.

Saved and recalled settings automatically result in instant and **ultra-precise** recipe replications on all 100% servo-driven components.

Change Downtime To Serious Uptime.



UPTIME FEATURE



EVEN MORE PERFECT. SERVO CHANGEOVERS.

What does this mean for you?

- You **will reduce your operator touch-time** on the machine by up to 80% (or more!) leading to them being available to tend to other parts of the line. This directly influences UPTIME.
- You **will** eliminate all label application issues typically associated to lack of operator knowledge. The **perfect servo precision** found on each moving axis will bring your components back to within 1/256" of their previous settings. Pinpoint recipe replication with no operator adjustments required.
- You **will eliminate expensive re-work** and dramatically reduce costly product loss by taking operator error out of the production equation.

**Imagine all this at the push of a button.
Buy it once. Profit off it forever. #WIN**



THIS ISN'T JUST A LABELER. **IT'S THE NEW**

Standard Features on Every

100% **Open-source**, non-proprietary electronics and software
(Readily available off-the shelf. From anywhere!)

Only **SERVO** drives and motors
(No PLC's, micro-processor boards or stepper motors here.)

Absolute total speed **synchronization** on everything
(Really. On EVERYTHING!)

On-the-fly adjustments at the touch of a button
(No guessing. Just **instantaneous** accurate adjusting.)

Unequaled simplicity of operation
(Intuitive, logical and **intelligent**.)

UPTIME FEATURE

XT GEN OF POWERHOUSE PRODUCTION.

NITA Machine Include:

NITA's famous super-rugged **SumoFrame™**

(All 304 stainless steel and anodized aluminum.)

Comprehensive demo **video** library

(Watch, learn, adjust, fix, enjoy.)

NITACARE live tech support

(On-demand issue resolution at the push of a button. Always no-charge. Yep.)

Self-Diagnosing software system with in-screen parts ordering

(Your maintenance staff will love you.)

Built-in **preventative maintenance**

(Optimized machine health with a cool & easy daily task dashboard.)

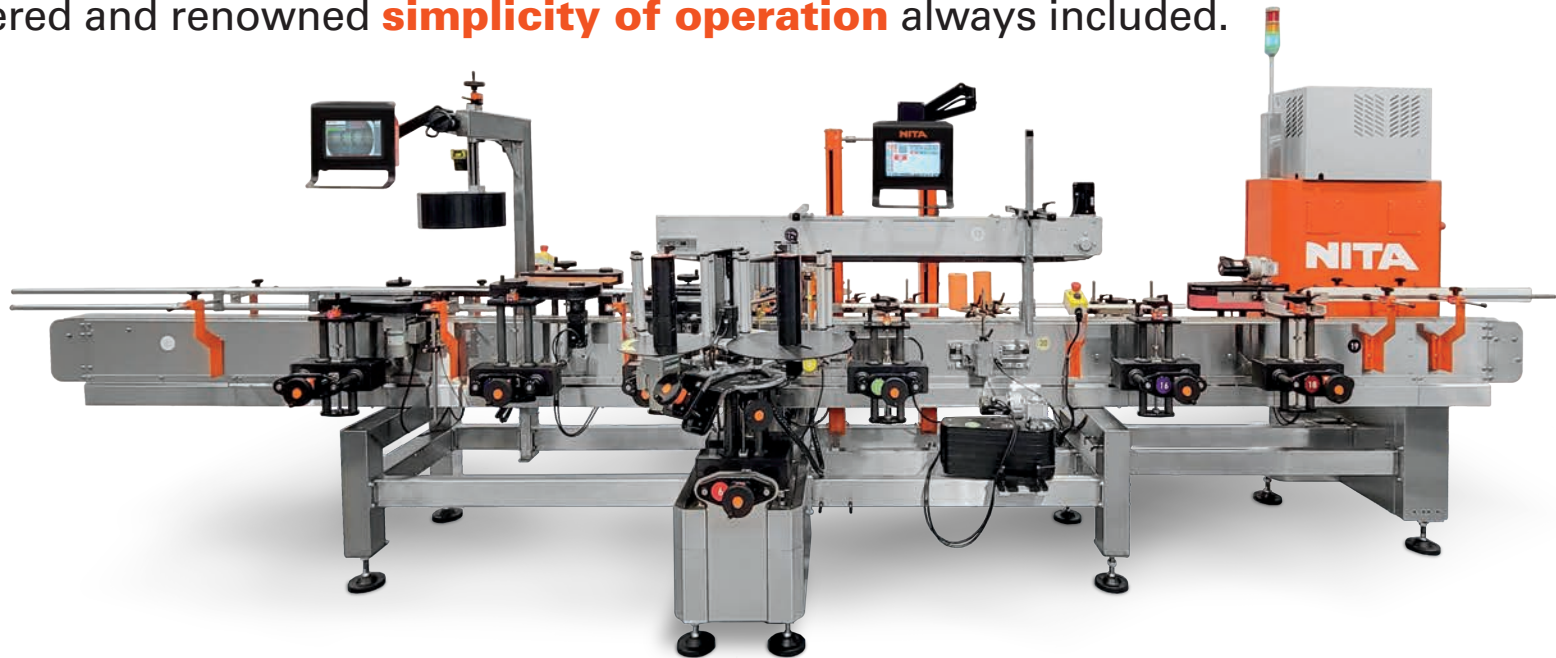


UPTIME FEATURE



MEET THE XP SERIES

The incredibly rugged, extraordinarily well-engineered, and infinitely versatile XP Series is always ready to meet your demanding production challenges. Revered and renowned **simplicity of operation** always included.



One Line of Labelers. **Endless** Configurations.

**PAILS
AND TUBS**

**FRONT, BACK
AND WRAP**

**TAPERED SIDE
CONTAINERS**

MULTI-PANEL

**ZERO DOWN
TIME OPTIONS**

XP SERIES

MEET THE JOUST SERIES

Extremely efficient and flexible beyond belief, the Joust Series is specially built to handle Top, Bottom, C-Shape, Full 360° Banding and Flat Items. Always 100% Servo. Always the most **productive labeler** on your line.

Feel the **uptime flow.**



TOP

BOTTOM

C-SHAPE

FULL 360°
BANDING

ZERO DOWN
TIME OPTIONS



JOUST SERIES

**N**

MEET **ZERO DOWNTIME**

100% Servo Software Managed, **never-miss-a-container** power automatically switches over from the heads with depleted label rolls to the heads that are ready to rock!

Servo axis retractable heads at the push of a button make re-loading rolls simple and efficient.

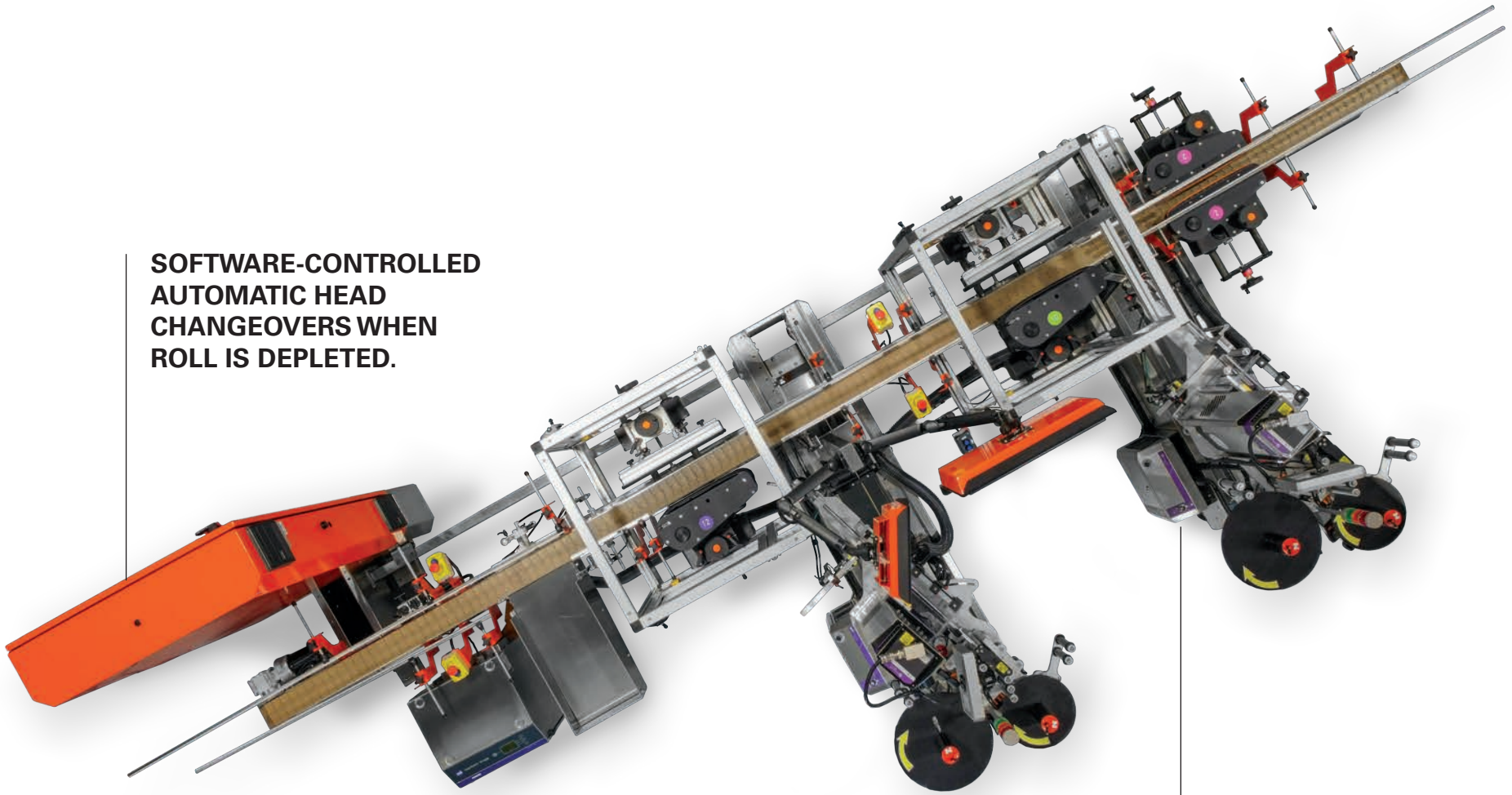
Mitigate disasters with the comfortable insurance of redundant heads.

Imagine the uptime.

Better yet, **ENJOY the uptime.**

ZERO DOWNTIME

**SOFTWARE-CONTROLLED
AUTOMATIC HEAD
CHANGEOVERS WHEN
ROLL IS DEPLETED.**



**PREVENT DOWNTIME AND CREATE
UPTIME WITH THE SECURITY OF
REDUNDANT HEADS.**

N

ZERO DOWNTIME



MEET THE **STAND-ALONE** SYSTEM

STAND-ALONE



The NITA 100% servo driven stand-alone labeling head is made for applying labels to whatever, whenever. Geek out on up to 3200 inches per minute of **super accurate** label application.



WIPE-ON

TAMP BLOW

MEET THE **PRINT & APPLY** SERIES

Integrating leading Thermal Transfer print engines like Zebra and Sato, the STA616 series of label application machines are industrial workhorses. Print and apply all the **variable info** required in today's very on-demand climate.

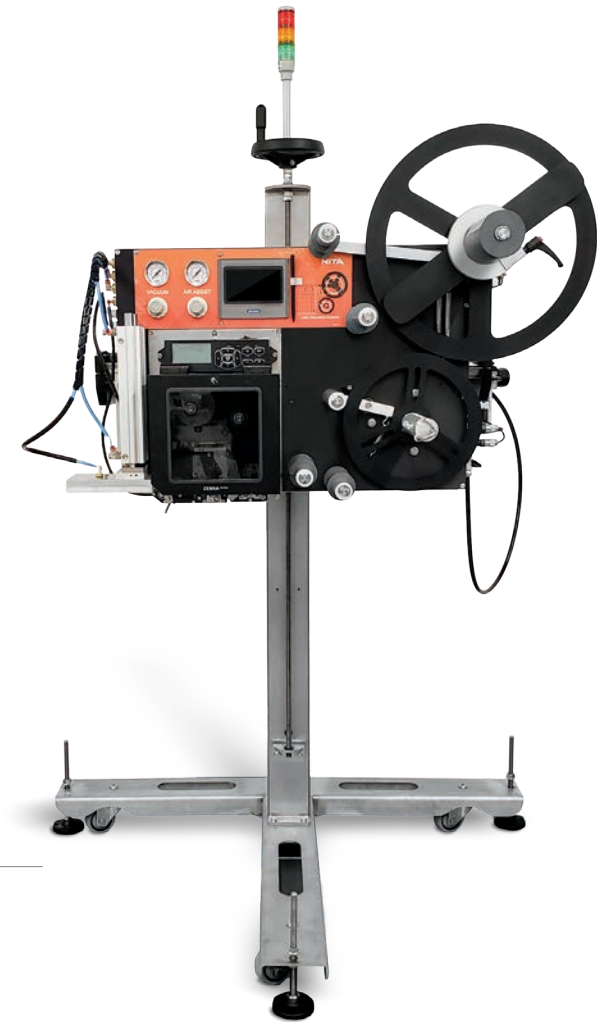


**LEADING
EDGE**

**TRAILING
EDGE**

**ADJACENT
SIDES**

**CORNER
WRAP**



PRINT & APPLY





MEET THE **ORIENTATION, COGNEX VISION** & **PRODUCT TRACKING SYSTEMS**

Our custom designed, High Tech Cognex Orientation and product verification and validation systems will inspect, reject, orient and track your products anywhere on your NITA Labeler.



Professional grade cameras or sensors married to servo motor-driven belt systems rotate both round or square containers. Available integrated into a powerful NITA Labeler or as a convenient Stand-Alone Orientation System when a label application is not needed.

Spot-On Solutions.

PRODUCT TRACKING

OCR

OCV

LABEL HEIGHT AND SKEW

LABEL PRESENCE

SERIALIZATION & REJECTION MECHANISMS

THIS ISN'T JUST A LABELER.

IT'S AN OFTEN COPIED (NEVER TRULY REPLICATED) AND ALWAYS **CERTIFIED NITA.**

Our annually updated "Tip-to-Tip" CSA and UL certifications will give you the peace of mind knowing that your NITA system is built to the HIGHEST possible manufacturing standards in the industry.



Certification marking:

CSA and UL certification bares the ETL insignia

Conforming to UL STD 73, Certified to CSA STD C22.2 No 68



CERTIFICATION

**SEE WHAT ALL THE UPTIME
IS ABOUT
NITALABELING.COM**

1051 du Viger Street, Terrebonne, Quebec Canada J6W 6B6

T. 450.961.4000 **F.** 450.961.4240

T.F. 1.855.668.NITA (6482)