



Accessories and spare parts catalog IQJET



Service hotline tel. +49 (0) 74 61/92 86-8 63

Service hotline fax +49 (0) 74 61/92 86-8 69

Service hotline e-mail: service@leibinger-group.com

Translation of the original instructions

All rights, particularly those relating to translation, publication and reproduction, are the sole property of Paul Leibinger GmbH & Co. KG. This document may not be processed or saved in part or in whole in any form, e.g. transcribed, photocopied, microfilmed or reproduced by any other method, without the written consent of Paul Leibinger GmbH & Co. KG, nor may it be made available to third parties.

Paul Leibinger GmbH & Co. KG reserves the right to any changes of the scope of delivery with regards to the technology, hardware and software as well as the associated materials, e.g. manuals and operating instructions.

Contents

1 Spare parts	4
1.1 Electronics / Electrics	4
1.2 Hydraulics	8
1.2.1 Overviews	8
1.2.2 Parts.....	13
1.3 Printhead	21
1.3.1 Overview.....	21
1.3.2 Parts.....	22
1.4 LEIBINGER Connect	24
1.5 Printhead-Refresh-Dock.....	26
1.6 Tubes and accessories.....	27
1.7 Other.....	28
2 Accessories	29
2.1 Encoders	29
2.2 Product sensors	31
2.3 Plugs and adapters.....	35
2.4 Connecting cables	36
2.5 Printhead mounting	37
2.6 Devices.....	39
2.7 Signal lamps	41
2.8 Printer stands.....	41
3 Retrofit kits	42
4 Maintenance and care	44
5 Tools	47
6 Other	50
7 Appendix	52
7.1 Terms and conditions for the LEIBINGER Connect SIM card.....	52
7.2 Important notes on the LEIBINGER SIM card.....	53
7.3 Changes.....	54

1 Spare parts

1.1 Electronics / Electrics

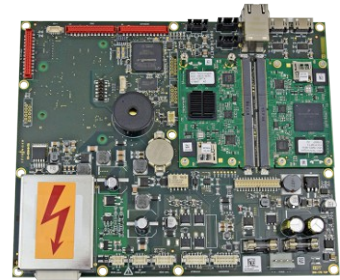
Display cable

E55-010271T



Mainboard

E55-010272T



I/O board

E55-010273T

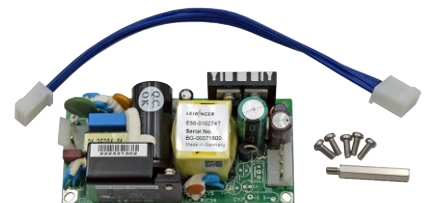
Incl. cable and mounting parts



Power supply

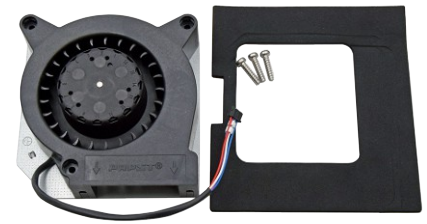
E55-010274T

Incl. cable and mounting parts

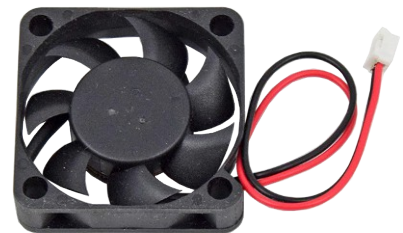


Fan for cabinet**E55-010275T**

Incl. cable and mounting parts

**Fan for mainboard****E55-010276T**

Incl. cable and mounting parts

**Display unit****E55-010992T**

IPX6

**NOTE! Due to water protection only
available completely pre-assembled in
housing!****Ethernet socket****E55-010329T**Incl. connecting cable
For housing installation**USB socket****E55-010330T**Incl. connecting cable
For housing installation

Mains cable with plug for Europe

E55-004682S

With Crimp contacts



Converter plug USA

55-008941K

If a complete mains cable has to be replaced:
Also order the mains cable for Europe
(E55-004682S [▶ 6]).



Converter plug GB

55-008942K

If a complete mains cable has to be replaced:
Also order the mains cable for Europe
(E55-004682S [▶ 6]).



Converter plug China

55-008943K

If a complete mains cable has to be replaced:
Also order the mains cable for Europe
(E55-004682S [▶ 6]).



Converter plug India**55-009170K**

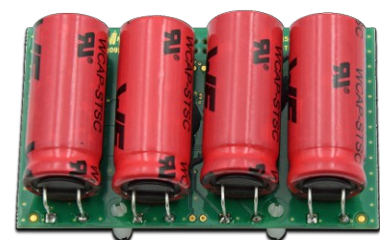
If a complete mains cable has to be replaced:
Also order the mains cable for Europe
(E55-004682S [▶ 6]).

**Converter plug Denmark****55-010603T**

If a complete mains cable has to be replaced:
Also order the mains cable for Europe
(E55-004682S [▶ 6]).

**Converter plug Switzerland****55-010604T**

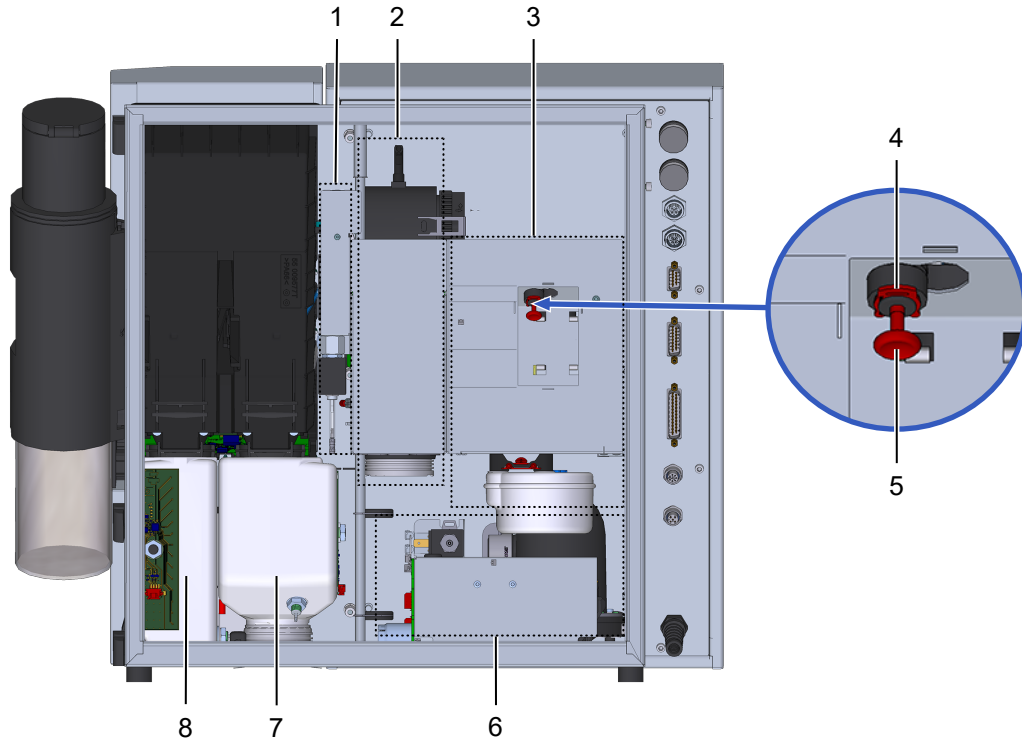
If a complete mains cable has to be replaced:
Also order the mains cable for Europe
(E55-004682S [▶ 6]).

**Mini UPS****E55-011141T**

1.2 Hydraulics

1.2.1 Overviews

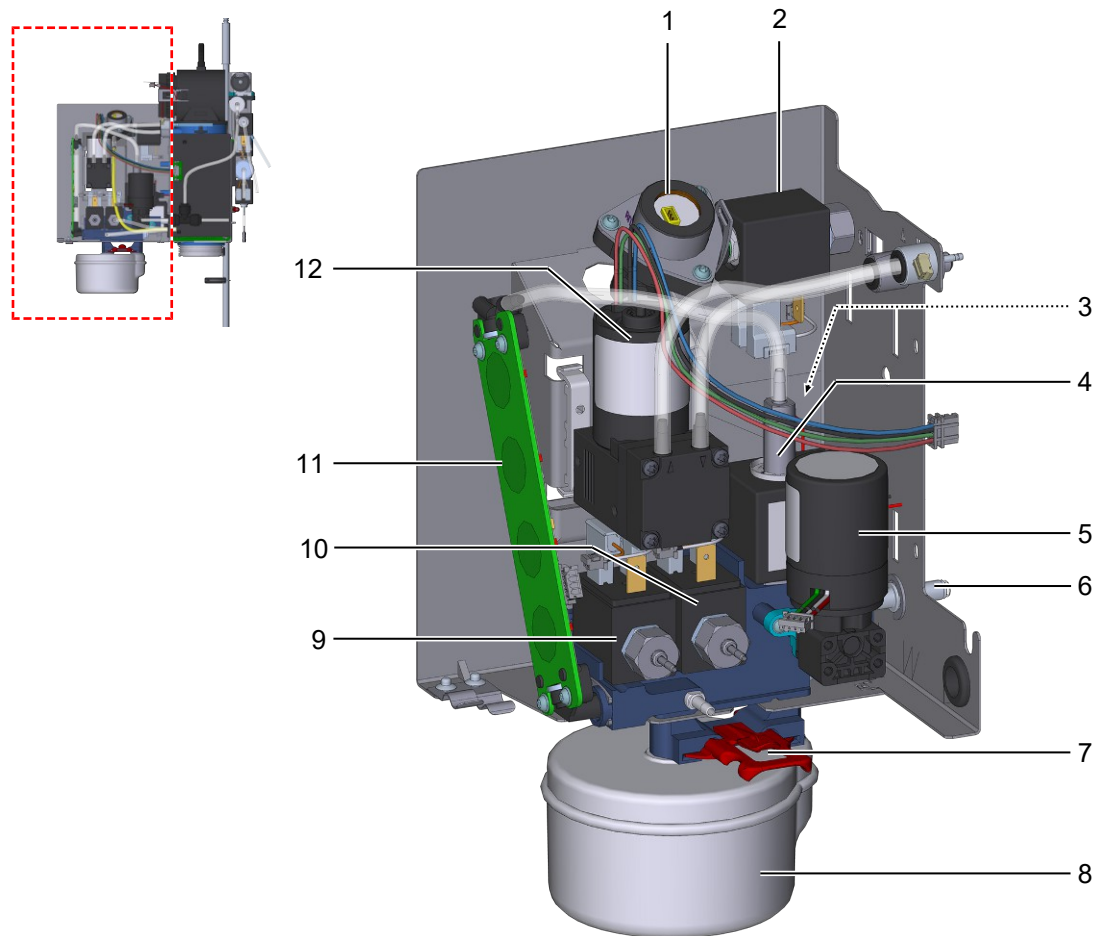
General view of hydraulic area



No.	Part	Part number
1	Printhead-Refresh unit	see Parts [▶ 13] ¹⁾
2	Module unit: axis unit	see Parts [▶ 13] ¹⁾
3	Module unit maintenance module	see Parts [▶ 13] ¹⁾
4	Safety ring 1/4"	E55-011709T [▶ 14]
5	Sealing plug Ø 4	E55-011708T [▶ 13]
6	Low-maintenance module unit	see Parts [▶ 13] ¹⁾
7	Ink reservoir tank	E55-010279T [▶ 13] / E55-010280T [▶ 13]
8	Solvent reservoir tank	E55-010281T [▶ 13]

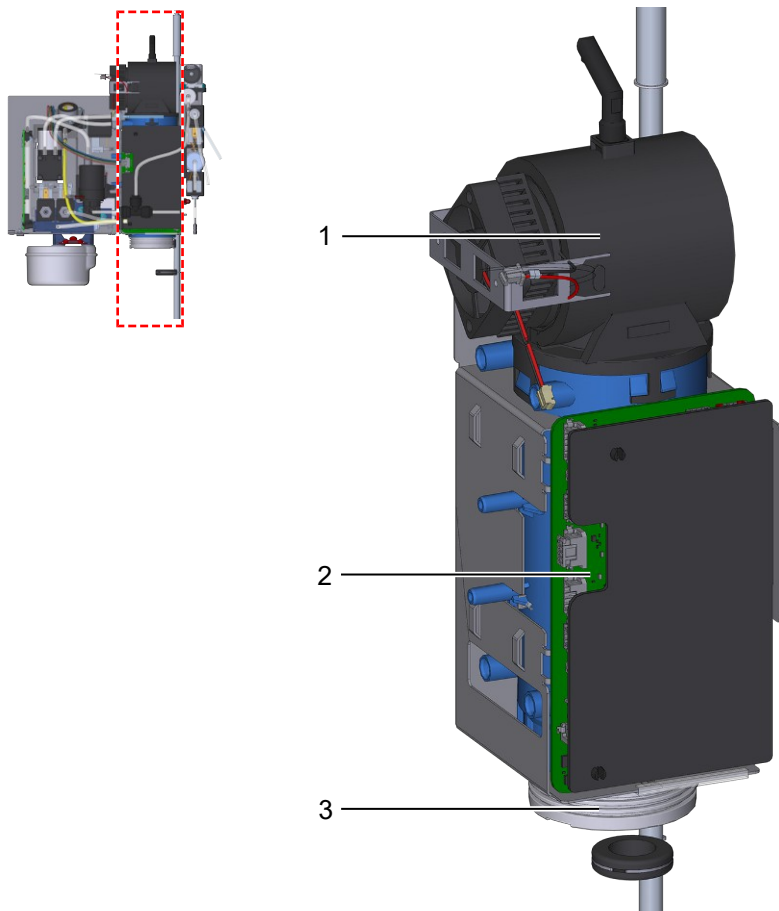
¹⁾ Complete assembly is not available as a single spare part, only individual parts.

Module unit maintenance module



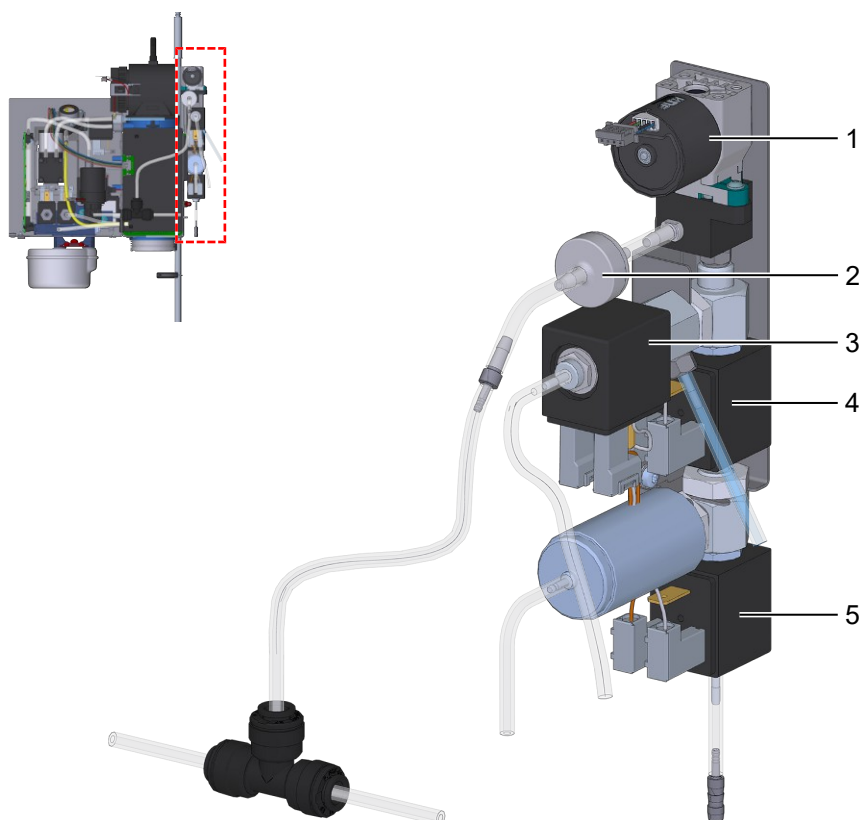
No.	Part	Part number
1	Pressure sensor ink	E55-010294T [▶ 14]
2	Bleed valve (EV)	E55-010293T [▶ 14]
3	Dosing pump (not visible in this view)	in preparation
4	Visco pump	E55-010296T [▶ 14]
5	Main pump	E55-010291T [▶ 15]
6	Filter main pump	E55-010993T [▶ 15]
6	Main filter retaining clip	E55-011710T [▶ 15]
7	Ink filter kit	E55-011138T / E55-011139T [▶ 15]
8	Solvent dosing valve	in preparation
9	Ink dosing valve	in preparation
10	Drop-ball-viscosimeter	E55-010287T [▶ 16]
11	Suction pump	E55-011600T [▶ 16]

Module unit: Axis unit



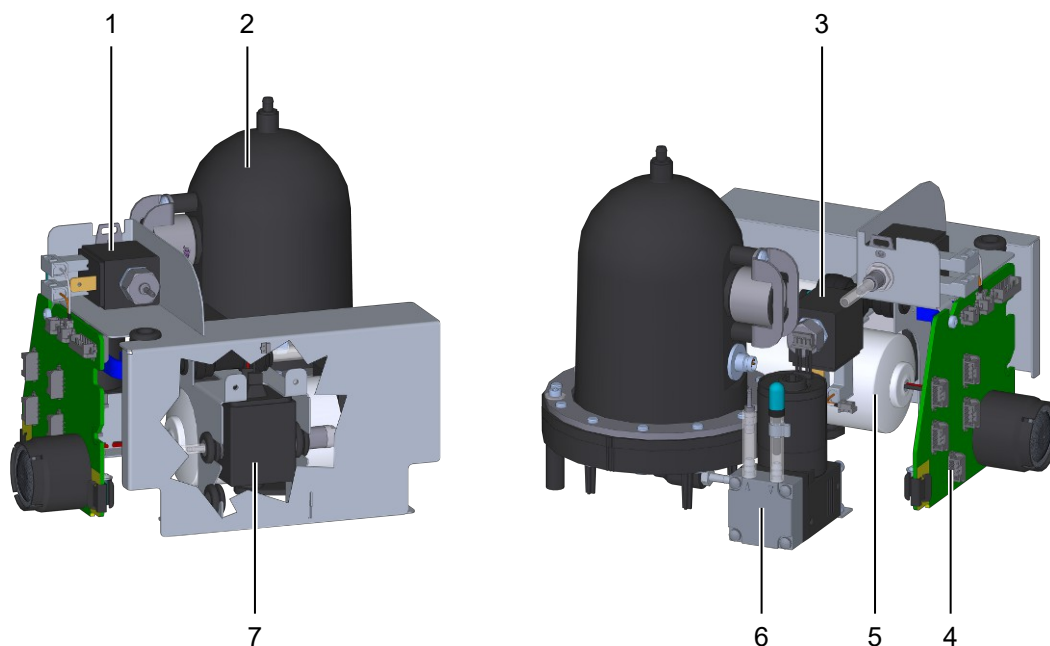
No.	Part	Part number
1	Solvent recovery system	E55-010277T [▶ 16]
2	Mixing tank board	E55-010278T [▶ 16]
3	Stirring device mixing tank	E55-010289T [▶ 17]

Module unit: Printhead-Refresh unit



No.	Part	Part number
1	Printhead-Refresh pump	E55-010983T [▶ 17]
2	Printhead-Refresh disc filter	E55-010988T [▶ 17]
3	Printhead-Refresh valve "B"	E55-010985T [▶ 18]
4	Printhead-Refresh valve "A"	E55-010984T [▶ 17]
5	Printhead-Refresh valve "C"	E55-010986T [▶ 18]

Low-maintenance module unit



No.	Part	Part number
1	Ink-on valve (VV)	E55-010295T [▶ 18]
2	Pressure tank	E55-010300T [▶ 18]
3	Air release valve (AV)	E55-010299T [▶ 19]
4	Pressure tank board	E55-010297T [▶ 19]
5	Compressor	E55-010298T [▶ 19]
6	Internal printhead ventilation pump	E55-010367T [▶ 19]
7	Back dosing pump	E55-010982T [▶ 20]

1.2.2 Parts

Ink reservoir tank

E55-010279T

Completely pre-assembled
Incl. cable and mounting parts



Ink reservoir tank (PT)

E55-010280T

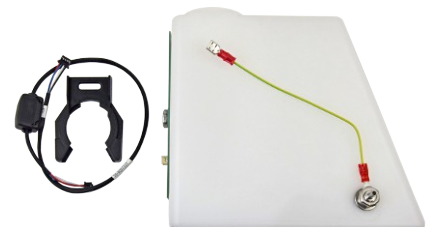
Completely pre-assembled
Incl. cable and mounting parts



Solvent reservoir tank

E55-010281T

Completely pre-assembled
Incl. cable and mounting parts



Sealing plug Ø 4

E55-011708T

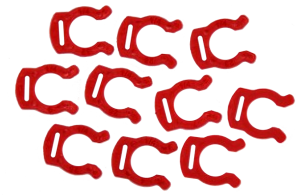
10 pieces



Safety ring 1/4"

E55-011709T

10 pieces



Pressure sensor ink

E55-010294T

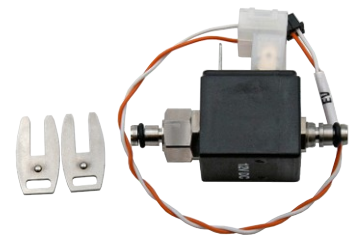
Completely pre-assembled
Incl. mounting parts



Bleed valve (EV)

E55-010293T

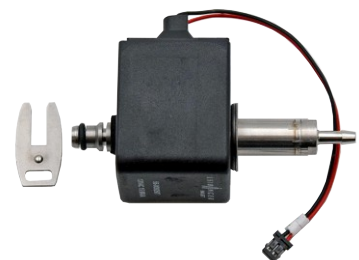
Incl. cable and mounting parts



Visco pump

E55-010296T

Incl. cable and mounting parts

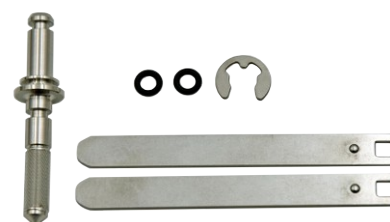


Main pump**E55-010291T**

Incl. cable and mounting parts

**Filter main pump****E55-010993T**

Incl. mounting parts

**Main filter retaining clip****E55-011710T****Ink filter kit**

...

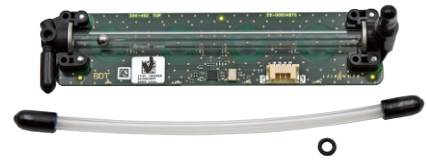
E55-011138T - Pigmented ink**E55-011139T** - Non-pigmented ink

These kits are not suitable for scheduled maintenance or scheduled filter changes, as the intervals cannot be reset with these kits! Suitable kits for scheduled maintenance or scheduled filter changes can be found in the chapter *Maintenance and care* [▶ 44].

Drop-ball-viscosimeter

E55-010287T

Completely pre-assembled
Incl. mounting parts



Suction pump

E55-011600T

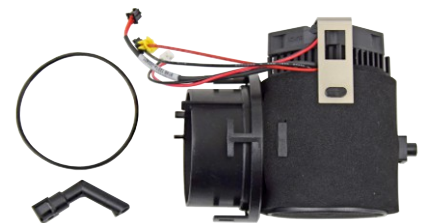
Completely pre-assembled
Incl. cable and mounting parts



Solvent recovery system

E55-010277T

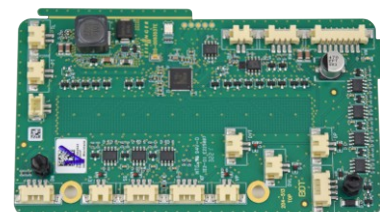
Completely pre-assembled
Incl. cable and mounting parts



Mixing tank board

E55-010278T

Incl. mounting parts



Stirring device mixing tank **E55-010289T**

Incl. cable



Printhead-Refresh pump **E55-010983T**

Completely pre-assembled
Incl. cable and mounting parts



Printhead-Refresh disc filter **E55-010988T**

Completely pre-assembled



Printhead-Refresh valve "A" **E55-010984T**

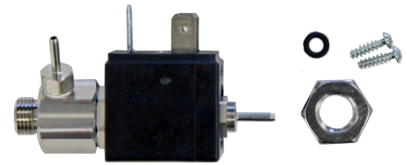
Incl. mounting parts



Printhead-Refresh valve "B"

E55-010985T

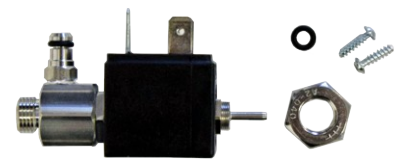
Incl. mounting parts



Printhead-Refresh valve "C"

E55-010986T

Incl. mounting parts



Ink-on valve (VV)

E55-010295T

Incl. cable and mounting parts



Pressure tank

E55-010300T

Completely pre-assembled
Incl. cable and mounting parts



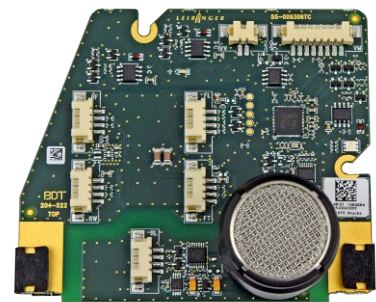
Air release valve (AV) E55-010299T

Incl. cable and mounting parts



Pressure tank board E55-010297T

Incl. mounting parts



Compressor E55-010298T

Incl. cable



Internal printhead ventilation pump E55-010367T

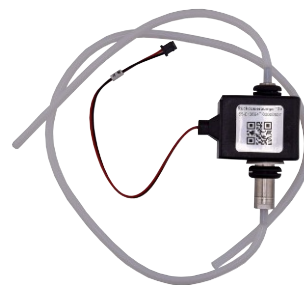
Completely pre-assembled
Incl. cable and mounting parts



Back dosing pump

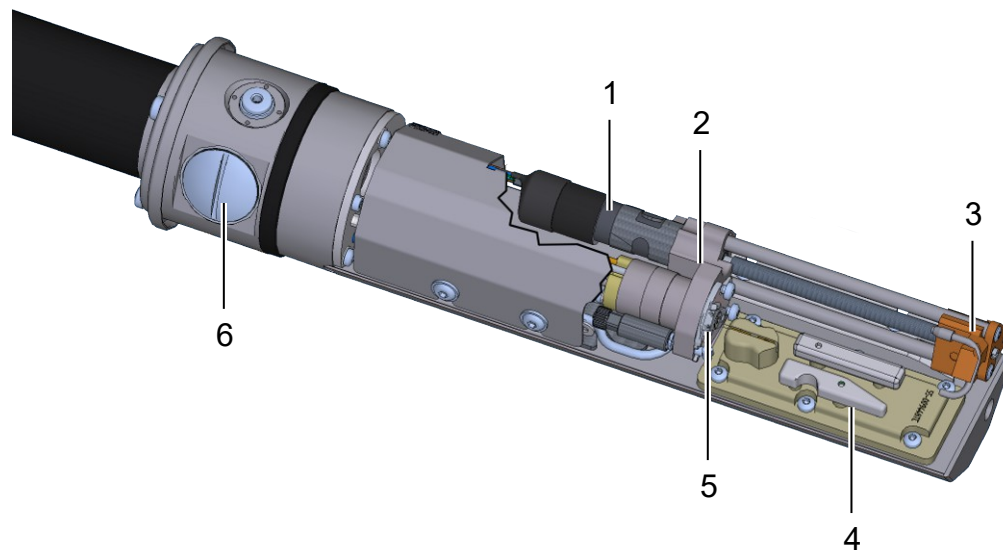
E55-010982T

Completely pre-assembled
Incl. cable and mounting parts



1.3 Printhead

1.3.1 Overview



No.	Part	Part number
1	Motor for nozzle sealing system	<i>E55-010363T</i> [▶ 22]
2	Drop production unit	<i>E55-010361T</i> [▶ 22]
3	Gutter tube	<i>E55-010362T</i> [▶ 22]
4	Electrode block	<i>E55-010331T</i> / <i>E55-010332T</i> [▶ 22]
5	Nozzle	<i>E55-010364T</i> [▶ 23] / <i>E55-010365T</i> [▶ 23]
6	Headfilter	<i>E55-011140T</i> [▶ 23]

1.3.2 Parts

Motor for nozzle sealing system

E55-010363T

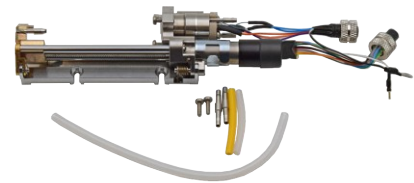
Incl. cable and bracket



Drop production unit

E55-010361T

With guides for nozzle sealing system and motor
Completely pre-assembled



Gutter tube

E55-010362T

Incl. mounting parts



Electrode block

...

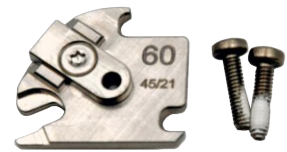
Incl. connection material and glue

E55-010331T - 60µm

E55-010332T - 70µm



Nozzle 60µm **E55-010364T**



Nozzle 70µm **E55-010365T**



Headfilter **E55-011140T**



Printhead cover **E55-011182T**

Incl. stickers ISO and ANSI



Printhead SK7 cpl. ...

- E55-010995T - 60µm, umbilical 3 m

- E55-010996T - 70µm, umbilical 3 m

- E55-010997T - 60µm, umbilical 6 m

- E55-010998T - 70µm, umbilical 6 m



Head chassis IQJET SK7 ...

- E55-010327T - 3 m

- E55-010994T - 6 m

1.4 LEIBINGER Connect

Edge device

E55-010999T

Incl. cable and mounting parts

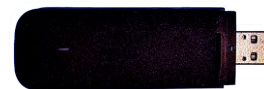


LTE stick

E55-010310T
Only for use in Europe.

E55-010311T
Only for use in North America.

E55-010312T
Only for use in Asia.



- Connection type: USB Type A
- LTE stick works only in the specified region: Select the LTE stick for the region in which the LTE stick will be used.
- Requires a SIM card. **The SIM card is not included in the scope of delivery.** You can find a suitable SIM card in this accessories catalog.
- Only works in combination with option **LEIBINGER Connect package for LTE connection.**

SIM card

55-011202T

For global use.
Contract period: 3 years



- Please note the *terms and conditions* [[▶ 52](#)] of the SIM card.
- Please note the *important information* [[▶ 53](#)] on the SIM card.
- Only works in combination with option **LEIBINGER Connect package for LTE connection**.

SIM card contract renewal

55-011769T

For global use.
Contract period: 1 year

- Please note the *terms and conditions* [[▶ 52](#)] of the SIM card.
- Please note the *important information* [[▶ 53](#)] on the SIM card.
- Only works in combination with option **LEIBINGER Connect package for LTE connection**.

1.5 Printhead-Refresh-Dock

Printhead-Refresh-Dock**E55-011377T**Complete
Incl. mounting parts**Collecting tank****E55-010989T**For Printhead-Refresh-Dock
Incl. cap**Hinged cap****E55-010990T**For Printhead-Refresh-Dock
Incl. mounting parts**Assembly rail****E55-010991T**

For Printhead-Refresh-Dock



1.6 Tubes and accessories

Tube 1,9/3,3 mm, PTFE

E55-011434T

Packaging unit 10 m

Always rinse the tube before installation!



Tube 2/4 mm, PTFE

E54-002328S

Packaging unit 10 m

Always rinse the tube before installation!



Tube 3/5 mm, PFA

E55-011438T

Packaging unit 10 m

Always rinse the tube before installation!



Tube 4/6 mm, PFA

E55-004406S

Packaging unit 10 m

Always rinse the tube before installation!



1.7 Other

Release lever

E55-010366T

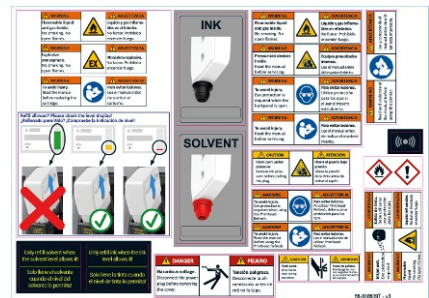
for cartridge slot



Sticker collection sheet

55-010509T

USA (ANSI)



Sticker collection sheet

55-010510T

International (ISO), except USA



2 Accessories

2.1 Encoders

Shaft encoder 10000 pulses**E55-011108T**

With cable M12, 8-pole, 6m

**Shaft encoder 2500 pulses****E55-011107T**

With cable M12, 8-pole, 6m

**Coupling for shaft encoder****54-002349K**Diameter **6 mm**

Adaptable for:

- E55-011108T [▶ 29]
- E55-011107T [▶ 29]


**Friction wheel for shaft encoder****54-002359K**


Plastic for paper
Bore diameter **6 mm**
Circumference **200 mm**


Adaptable for:


- E55-011108T [▶ 29]
- E55-011107T [▶ 29]



Friction wheel for shaft encoder	54-003540K
<p>Nap rubber for metal Bore diameter 6 mm Circumference 200 mm</p> <p>Adaptable for:</p> <ul style="list-style-type: none"> - E55-011108T [▶ 29] - E55-011107T [▶ 29] 	

Mounting plate for shaft encoder	54-002358S
<p>Cpl. with fixing screws</p> <p>Adaptable for:</p> <ul style="list-style-type: none"> - E55-011108T [▶ 29] - E55-011107T [▶ 29] 	

Spring arm for shaft encoder	55-008676S
<p>Completely pre-assembled</p> <p>Adaptable for:</p> <ul style="list-style-type: none"> - E55-011108T [▶ 29] - E55-011107T [▶ 29] 	

Splitter box	...
<p>55-009107S - Splitter box Without Connection cables. Without encoder and PrintGo sensor.</p> <p>Please note! All connections are of the SUB-D type. The rotary encoders and PrintGo sensors in this catalog cannot be connected to the external splitter box. Suitable encoders, sensors and their connection cables can be found in the JET2neo accessories catalog. The appropriate splitter cables for connecting the IQJET printers are listed below.</p> <p>E55-011165T - PrintGo splitter cable Splitter box <-> IQJET 5 m</p>	

Splitter box

...

E55-011166T - Encoder splitter cable
Splitter box <-> IQJET
5 m

2.2 Product sensors

Light sensor**55-008912K**

With background suppression

Adaptable mounting:

- *55-008974S* [▶ 33]

The connecting cable is not included in the scope of delivery, but is absolutely necessary!

Available connecting cables:

- *E55-011101T* - M8 straight [▶ 34]
- *E55-011102T* - M8 angled [▶ 34]

**Contrast sensor****55-008913K**

For print mark recognition

Adaptable mounting:

- *55-008974S* [▶ 33]

The connecting cable is not included in the scope of delivery, but is absolutely necessary!

Available connecting cables:

- *E55-011101T* - M8 straight [▶ 34]
- *E55-011102T* - M8 angled [▶ 34]

**Inductive sensor****55-008914K**

Adaptable mounting:

- *55-008976S* [▶ 33]

The connecting cable is not included in the scope of delivery, but is absolutely necessary!

Available connecting cables:

- *E55-011103T* - M12 straight [▶ 34]
- *E55-011104T* - M12 angled [▶ 33]



Optical fibre sensor**55-008933S**

With coaxial amplifier
Incl. plastic light guide
Incl. mounting material

The connecting cable is not included in the scope of delivery, but is absolutely necessary!

Available connecting cables:

- E55-011101T - M8 straight [▶ 34]
- E55-011102T - M8 angled [▶ 34]

**Reflection sensor****55-008907K**

Polarized

Adaptable mounting:

- 55-008974S [▶ 33]

The mounting system incl. reflector is not included in the scope of delivery, but is absolutely necessary! Available mounting systems:

- 55-008908K [▶ 32]

The connecting cable is not included in the scope of delivery, but is absolutely necessary!

Available connecting cables:

- E55-011101T - M8 straight [▶ 34]
- E55-011102T - M8 angled [▶ 34]

**Mounting system incl. reflektor****55-008908K**

Adaptable for:

- 55-008907K - Reflection sensor [▶ 32]

**Mounting system for the 3B series****55-008909K**

Adaptable for:

- 55-008907K - Reflection sensor [▶ 32]
- 55-008912K - Light sensor [▶ 31]
- 55-008913K - Contrast sensor [▶ 31]



Bracket for product sensor (angular design)**55-008974S****Delivery is without product sensor!****Not suitable for mounting the printhead!**

Adaptable for:

- 55-008907K - Reflection sensor [▶ 32]
- 55-008912K - Light sensor [▶ 31]
- 55-008913K - Contrast sensor [▶ 31]

**Bracket for product sensor****55-008976S****Delivery is without product sensor!****Not suitable for mounting the printhead!**

Adaptable for:

- 55-008914K - Inductive sensor [▶ 31]

**Ground cable****55-004749S**

Complete

**Connecting cable M12****E55-011104T**

Angled with coupling plug



Connecting cable M12

E55-011103T

Straight with coupling plug



Connecting cable M8

E55-011102T

Angled with coupling plug



Connecting cable M8

E55-011101T

Straight with coupling plug



2.3 Plugs and adapters

Adapter cable for PrintGo

55-009764T

5-pole M12A <=> 5-pole cable socket

Adapter cable to connect a PrintGo sensor or another sensor with a PG9 plug to the IQJET.



Adapter cable for encoder

55-009765T

8-pole, M12A <=> 12 pole cable socket

Adapter cable to connect an encoder with PG9 plug to the IQJET.



Coupling plug M12

E55-011106T

5-pole, straight



Coupling plug M12

E55-011105T

8-pole, straight
For encoder

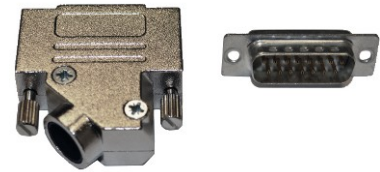
Multi pin connector SUB-D 9-pole

E55-005665S

Incl. housing
Straight cable outlet

Multi-pin connector SUB-D 15-pole

60000-00254 + 60000-00796

Incl. housing
45° cable outlet**Socket assembly SUB-D 25-pole**

60000-00926 + 60000-00065

Incl. housing
Straight cable outlet**Thread bolt**

E54-000748T

For SUB-D connector
UNC 4-40
Packaging unit = 5 pcs

2.4 Connecting cables

Ethernet cable

60000-00584

RJ45 - M12D
5 m**Data input cable**

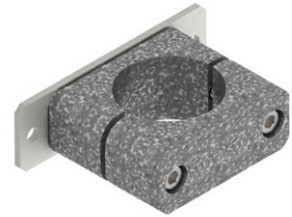
54-002295S

For data transfer
RS232 9/9-pole
3 m

2.5 Printhead mounting

Printhead mounting device (standard)

55-004504S



Printhead mounting device (with shaft)

55-004541S

Shaft diameter = 30 mm

Adaptable for stand, sliding table and cross clamp device:

- 55-004624S - Sliding table [▶ 39]
- 55-004625S - Sliding table [▶ 39]
- 55-004633S - Universal bottom stand [▶ 38]
- 55-004669S - Universal bottom stand [▶ 38]
- CM419998 - Cross clamp device [▶ 38]



Shaft for printhead mounting device

55-006021S

With mounting plate



Quick release for printhead mounting device

55-005889S

Complete



Cross clamp device**CM419998**

With 2 levers

Adaptable printhead mounting device:

- 55-004541S [[▶ 37](#)]

**Universal bottom stand****55-004633S**

Without printhead mounting device

Also available in customised sizes

Shipped in a wooden box. For this reason there are additional shipping costs.

Adaptable printhead mounting device:

- 55-004541S [[▶ 37](#)]

**Universal bottom stand (stainless steel)****55-004669S**

Without printhead mounting device

Also available in customised sizes

Shipped in a wooden box. For this reason there are additional shipping costs.

Adaptable printhead mounting device:

- 55-004541S [[▶ 37](#)]



2.6 Devices

Sliding table with XZ crank adjustment

55-004624S

With encoder and sensor
Without printhead mounting device
Travel: 322 mm

Adaptable printhead mounting device:

- 55-004541S [▶ 37]

The following adapters are required for the IQ-JET:

- 55-009764T - Adapter PrintGo [▶ 35]
- 55-009765T - Adapter encoder [▶ 35]



Sliding table

55-004625S

With encoder and sensor
Without printhead mounting device
Travel: 272 mm

Adaptable printhead mounting device:

- 55-004541S [▶ 37]

The following adapters are required for the IQ-JET:

- 55-009764T - Adapter PrintGo [▶ 35]
- 55-009765T - Adapter encoder [▶ 35]



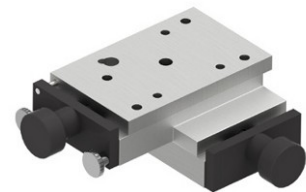
Adjusting slide 2-axis (XY)

54-000903S

With quick separation and precise adjustment

Adaptable printhead mounting device:

- 55-004539S [▶ 40]



Adjusting slide 1-axis (X)

54-000902S

With quick separation and precise adjustment

Width: 50 mm

Adaptable printhead mounting device:

- 55-004539S [▶ 40]



Adapter plate for adjusting slide

55-004539S

Incl. printhead mountig device

Adaptable for:

- 54-000903S - *Adjusting slide 2-axis (XY)*
[▶ 39]
- 54-000902S - *Adjusting slide 1-axis (X)*
[▶ 39]
- 54-000119S - *Cable guide* [▶ 40]



Cable guide

54-000119S

For cable with diameter 2-10 mm (25)

Without printhead mountig device

With left entry

Adaptable printhead mountig device:

- 55-004539S [▶ 40]

The following adapter is required for the IQ-JET:

- 55-009765T - *Adapter Drehgeber* [▶ 35]



Mobile handle for printhead

55-009190S

With plugs for JET3up.

The following adapters are required for the IQ-JET:

- 55-009764T - *Adapter PrintGo* [▶ 35]
- 55-009765T - *Adapter encoder* [▶ 35]



2.7 Signal lamps

Signal lamp with mounting bracket

55-010690T

Red / Orange / Green

Adaptable for:

- IQJET



Signal lamp with mounting bracket

55-010864T

Red / Orange / Green / Horn

Adaptable for:

- IQJET



2.8 Printer stands

Stand with wheels

55-006134K

For one single printer

Adaptable for:

- JET3up Serie
- JET Rapid
- JET2neo Serie
- IQJET

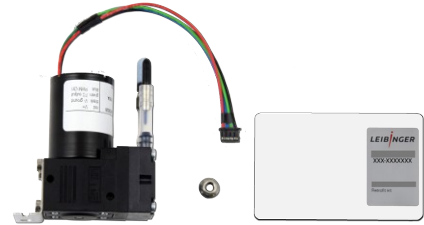


3 Retrofit kits

i Retrofitting is only possible for printers with software version V80.0.76.5 or higher.

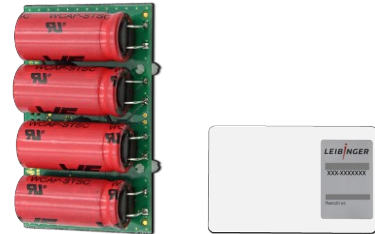
Retrofit kit "Internal head ventilation"

E55-011412T



Retrofit kit "Integrated mini UPS"

E55-011409T



Retrofit kit "LEIBINGER Connect LAN"

E55-011415T



Retrofit kit "LEIBINGER Connect LTE" ...

E55-011418T - For EU

E55-011421T - For North America

E55-012375T - For Asia



Requires a SIM card. **The SIM card is not included in the scope of delivery.** Order the *SIM card* [[▶ 25](#)] in addition to the retrofit kit.

4 Maintenance and care

Maintenance kit

...

E55-010233T - Non-pigmented ink

E55-010235T - Pigmented ink



Filter kit

...

E55-010234T - Non-pigmented ink

E55-010236T - Pigmented ink



Nozzle O-ring kit

E55-010237T



Air filter kit

E55-010238T



Special tool set "Draining"**E55-011277T**Suitable dummy plugs: [E55-011278T](#) [▶ 45]**Dummy plug set****E55-011278T**Ø7,75 mm / with O-ring
Packaging unit 10 pcs**Cleaning kit****54-002335S****Cleaning paper****54-002083K**Box with 50 pieces
Tear resistant and lint-free

Disposable gloves

...

MEK resistant (limited time)
100 pieces.
Powder-free, non-sterile

55-004195K - Size S

54-004051K - Size M

54-002342K - Size L

55-004194K - Size XL

**Safety glasses (universal)**

54-002641K

**Rubber bulb**

54-002343K

**Pocket microscope**

54-002346K

50-fold magnification

**Cleaning station for stand**

55-006136S

Incl. accessories

Adaptable for stand:

– 55-006134K [▶ 41]



5 Tools

Allen key SW 1,5 mm

55-004501K

Bent, long



Torx-wrench T6

55-004758K

Long



Tube remover 2/4

55-005001T



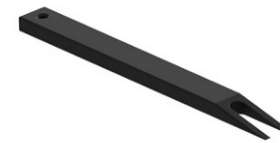
Tube remover 3/5

55-010246T



Tube remover 4/6

55-005002T



Standard round-nose pliers

55-005004K

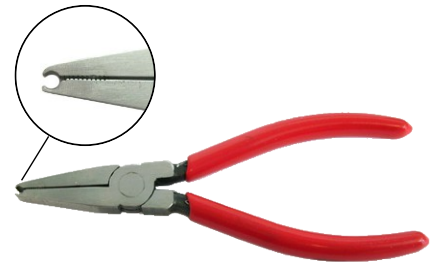
For inner tube expansions before attaching



Flat nose pliers

55-004932T

To attach tubes

**Service clip**

55-004502S

**UV lamp 365 nm**

55-009139S

Requires battery: 1x AA (not included)

**Torque screwdriver for blades**

...

55-004557KTorque screwdriver Torque Vario-S for blades
0,1 - 0,6 Nm
(without blades)**55-004559K**

Blade for Torx T8

55-006360K

Blade for Torx T6

55-004558K

Cross head screw blade PH1

55-004701K

Allen key blade SW1,5

55-004702K

Allen key blade SW1,5 (golf ball head)



Drain canister**E55-010528T**

Incl. connection material
Filling volume: 3 l

**Cabinet key****55-010916T****Universal bench vice****54-002334K**

6 Other

Working coat with LEIBINGER logo ...

54-002815K - Size 46

54-003883K - Size 48

54-003884K - Size 50

54-003885K - Size 52

54-003886K - Size 54

54-003887K - Size 56



Leibinger Polo shirt white (Women) ...

E55-011219T - Size S

E55-011220T - Size M

E55-011221T - Size L

E55-011222T - Size XL

E55-011223T - Size XXL



Leibinger Polo shirt white (Men) ...

E55-011224T - Size S

E55-011225T - Size M

E55-011226T - Size L

E55-011227T - Size XL

E55-011228T - Size XXL



Leibinger Polo shirt black (Women) ...

E55-011972T - Size S

E55-011973T - Size M

E55-011974T - Size L

E55-011975T - Size XL

E55-011976T - Size XXL



Leibinger Polo shirt black (Men) ...

E55-011977T - Size S

E55-011978T - Size M

E55-011979T - Size L

E55-011980T - Size XL

E55-011981T - Size XXL



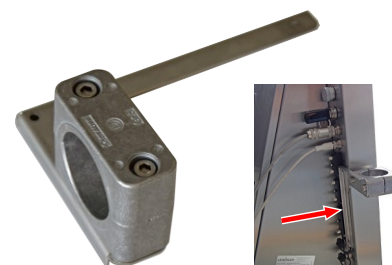
Printhead cover with window SK7 55-010737T

For presentation purpose only



Printhead mounting exhibition 55-011144T

For presentation purpose only



7 Appendix

7.1 Terms and conditions for the LEIBINGER Connect SIM card

These terms and conditions apply to the LEIBINGER Connect SIM card.

License Agreement:

By purchasing a SIM card for the LEIBINGER Connect Portal, the purchaser enters into a license agreement with Paul Leibinger GmbH & Co. KG.

Terms of use:

By purchasing a SIM card for the LEIBINGER Connect Portal, the purchaser accepts the following terms of use for the SIM card.

Intended purpose:

The user must not use the SIM Card for anything other than in association with the LEIBINGER Connect Portal and dedicated terminal equipment. In case of misuse, Paul Leibinger GmbH & Co. KG reserves the right to deactivate the SIM card. The SIM card's only intended purpose is data transfer between the dedicated terminal equipment and the LEIBINGER Connect Portal.

Term of the license agreement:

The order confirmation shows the SIM card type and the license agreement's first term.

Begin of the first term of the license agreement:

The first term of the license agreement commences on the first day of the month after the next after purchasing the SIM card.

Renewal of the license agreement:

The contract partners can extend the first and each subsequent period of use by 12 months if the user contract is not terminated in accordance with its terms.

Termination of the license agreement:

The contract partners can terminate the license agreement upon a minimum of 30 days written notice before the license agreement's first or any following term ends.

Warranty and disclaimer:

During the license agreement term, Paul Leibinger GmbH & Co. KG grants a replacement for a SIM card that shows a defect.

Paul Leibinger GmbH & Co. KG excludes any liability for damages caused by the use or by a defect of a SIM card. The disclaimer includes but is not limited to the following cases:

- Paul Leibinger GmbH & Co. KG is not liable for any damages caused by a failure of the SIM card.
- Paul Leibinger GmbH & Co. KG is not liable for any damages caused by an exchange of a defective SIM card.
- Paul Leibinger GmbH & Co. KG is not liable for any damages caused by downtimes because of the exchange of a defective SIM card.

7.2 Important notes on the LEIBINGER SIM card

- Please note the *terms and conditions* [▶ 52] for the SIM card. The current terms and conditions can be found on the website of LEIBINGER and in the accessories catalogs.
- The SIM card is intended exclusively for use in conjunction with LEIBINGER end devices (IQJET with corresponding option or ConnectBox LTE).
- Please observe the operating instructions for the corresponding end device.
- The SIM card is already activated ex works and can be used immediately. No further activation is required. Once the end device has been commissioned, it can connect to the LEIBINGER Connect cloud and transfer data.
- The SIM card operates independent of a specific network operator.
- The first period of the contract term of the SIM card begins on the first day of the month after next from the delivery date. This gives you enough time to deliver the SIM card to your end customer.
- LEIBINGER recommends neither storing the SIM cards nor procuring them in advance.
- LEIBINGER recommends that you document which SIM card you deliver to which end customer. Use the SIM ID as a reference. The SIM ID can be found on the SIM card, on the card carrier of the SIM card and on the invoice. If the term of the SIM card is to be renewed, the documentation makes it easier to assign the SIM cards to the respective end customers.
- Three months before the end of the contract term, you will receive an offer to renew the contract. You will find the SIM ID as a reference on the offer. You then have the option to renew the contract until the end of the contract term. This rule applies to both the initial contract term and the contract renewal.
- If you do not renew the contract, the SIM card will be deactivated at the end of the first contract term.
- As an alternative to the SIM card from LEIBINGER you can also purchase a different SIM card from another source. Please note that LEIBINGER cannot guarantee the functionality of SIM cards from other providers.

7.3 Changes

Part number	Change
54-002082K	Part removed: Cleaning paper (box with 800 pieces)
31101-00020	Part removed: Holder for sensor
55-010510T	Photo replaced: Sticker collection sheet USA
55-010509T	Photo replaced: Sticker collection sheet ISO
55-011202T	Part replaced: SIM card (has been E55-010313T)
55-011769T	Part replaced: SIM card contract renewal (has been 55-010441T)
E55-012373T	Part replaced: Retrofit kit LEIBINGER Connect "LTE for EU" (has been E55-011418T)
E55-012374T	Part replaced: Retrofit kit LEIBINGER Connect "LTE for North America" (has been E55-011421T)
E55-012375T	New part: Retrofit kit LEIBINGER Connect "LTE for Asia"
E55-010310T E55-010311T	Note changed: SIM card no longer included in the scope of delivery.
E55-010312T	New part: LTE stick for Asia
E55-011138T E55-011139T	Note added: "Not suitable for scheduled maintenance".
-	New chapter added to the appendix: Important notes on SIM card
55-009107S	Photo replaced: Splitter box



Paul Leibinger GmbH & Co. KG
Daimlerstr. 14
78532 Tuttlingen
Germany
Phone: +49 74 61 / 92 86-0
Fax: +49 74 61 / 92 86-199
Email: info@leibinger-group.com

